

Features

- High discharge capacity
- Fully shielded design
- Low insertion loss
- Protection for all lines
- Easy to replace
- DIN rail installation

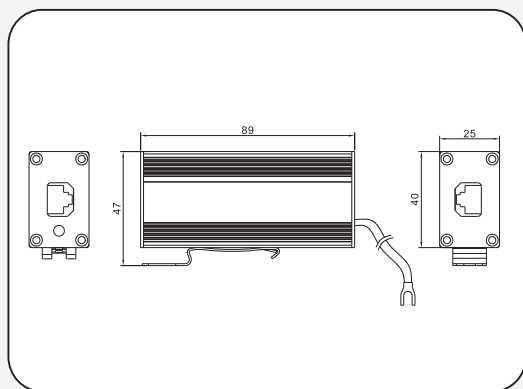


Approval

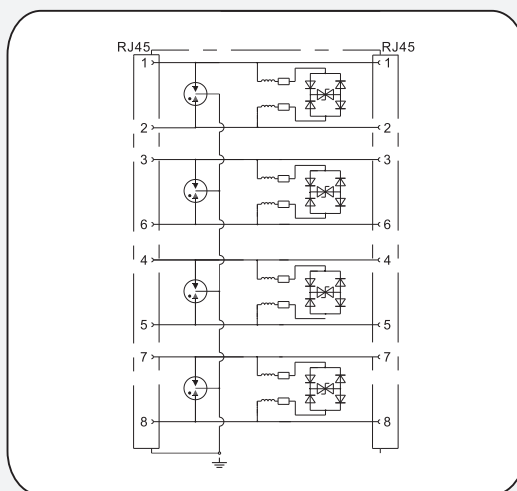
Compact SPD for use in PoE+ system according to IEEE 802.3at to protect the Cat. 6A patch cable and downstream equipment, and installation at the boundaries from LPZ 0_A-2 and higher.

- RoHS
- UL 94 V-0

Dimension drawing



Circuit diagram



Type	G48DC-RJ45
Part No.	94 48 70
Electrical	
Test according to	IEC 61643-21/EN 61643-21/GB 18802.21
Number of ports	2
Technology	GDT & TVS
Nominal Voltage (U _n)	48 V
Max. continuous operating d.c. voltage (U _c)	48 V
Max. continuous operating a.c. voltage (U _c)	34 V
Max. continuous d.c. voltage pair-pair (PoE) (U _c)	57 V
Rated load current (45°C) (I _n)	1.0 A
C2 nominal discharge current (8/20 μs) per line (I _n)	200 A
C2 nominal discharge current (8/20 μs) line-PE (I _n)	2.5 kA
Voltage protection level for line-line In C2 (U _r)	190 V
Voltage protection level for line-PE In C2 (U _r)	500 V
Voltage protection level line-line at 1 kV/us C3 (U _r)	140 V
Voltage protection level line-PE at 1 kV/us C3 (U _r)	600 V
Frequency scope for line-line	0-1000 Mbps
Insertion loss	<2 dB
Protection pinning	1-2,3-6,4-5,7-8
Mechanical	
Method of mounting	35 mm DIN rail
Enclosure dimensions (HxWxD)	89 mm × 40 mm × 25 mm
Connection	RJ 45(socket/socket)
Environmental	
Location category	Indoor only
Operation temperature range (T _o)	-40°C... +70°C
Relative humidity	≤ 95%
Operation altitude	≤ 4 km
Degree of protection	IP 20
Enclosure material	Metal shell